

Name: _____ Connecting Algebra and Geometry 7.3

Ready, Set, Go!



www.flickr.com/photos/safari_vacation

Ready

Topic: Tables of value

Find the value of $f(x)$ for the given domain. Write x and $f(x)$ as an ordered pair.

1. $f(x) = 3x - 2$

x	$f(x)$	$(x, f(x))$
-2		
-1		
0		
1		
2		

2. $f(x) = x^2$

x	$f(x)$	$(x, f(x))$
-2		
-1		
0		
1		
2		

3. $f(x) = 5^x$

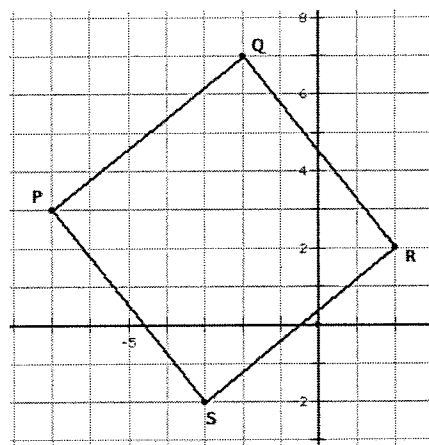
x	$f(x)$	$(x, f(x))$
-2		
-1		
0		
1		
2		

Set

Topic: Characteristics of rectangles and squares

4a. Is the figure below a rectangle? (Justify your answer)

b. Is the figure a square? (Justify your answer)



© 2012 Mathematics Vision Project | MVP

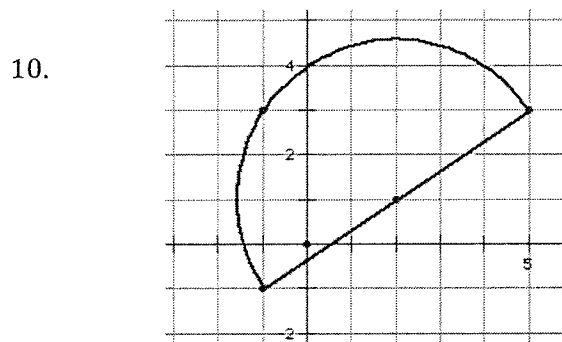
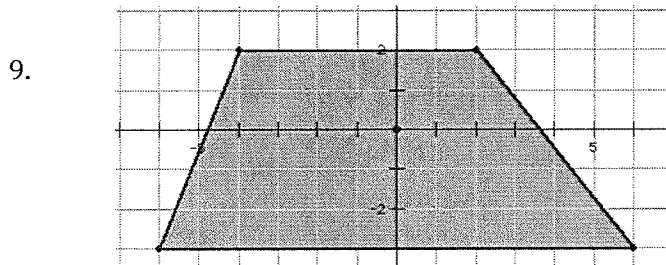
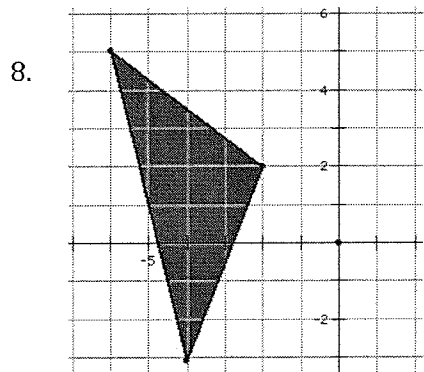
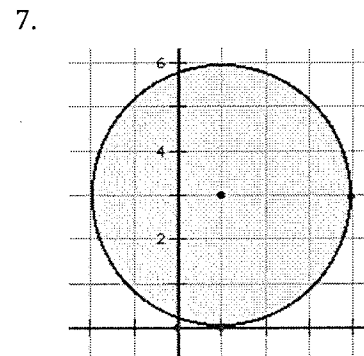
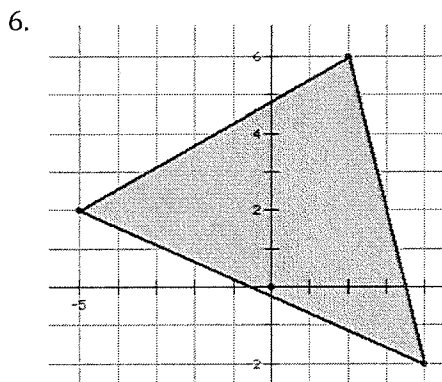
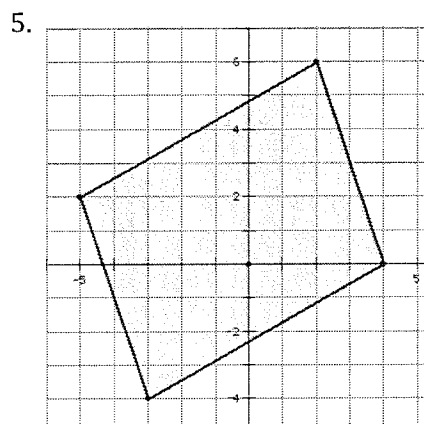
In partnership with the Utah State Office of Education

Licensed under the Creative Commons Attribution-NonCommercial-ShareAlike 3.0 Unported license.

Name: _____ Connecting Algebra and Geometry | 7.3

Go

Find the perimeter of each figure below. Round to the nearest hundredth.



Need Help? Check out these related videos:

<http://www.khanacademy.org/math/geometry/basic-geometry/v/perimeter-and-area-of-a-non-standard-polygon>

<http://www.khanacademy.org/math/algebra/linear-equations-and-inequalities/v/distance-formula>

© 2012 Mathematics Vision Project | MVP

In partnership with the Utah State Office of Education

Licensed under the Creative Commons Attribution-NonCommercial-ShareAlike 3.0 Unported license.